

## Technical change to M12 plastic nuts

Dear Madam or Sir,

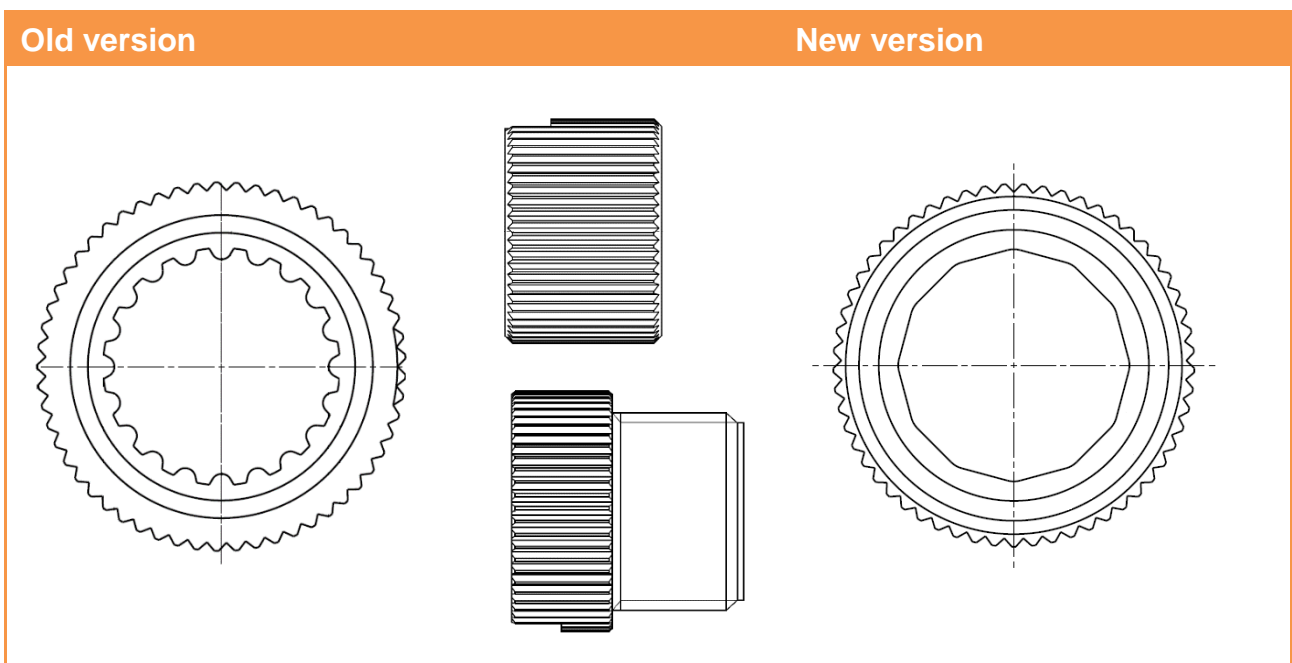
the products listed below are subject to a product change and will be supplied in a modified revision. Please pass this product information on to your employees and, if needed, to your customers. All modifications mentioned have been made to support our ongoing commitment to continual improvement and ongoing product development.

### 1. Initial situation

The M12 plastic nut has an inner contour (toothed ring) for vibration protection. After tightening the M12 nut, the vibration protection protects it against loosening by shock & vibration.

### 2. Technical change

The inner contour of the M12 nut, for vibration protection, is optimized from a toothed ring (old version) to a dodecagon (12-sided). The dimensions and the external design remain unchanged. By changing the inner contour, the tightening torque of the M12 nut is reduced from 0.9 - 1.1 Nm to 0.6 - 0.8 Nm, with the same level of vibration protection.



### 3. Reason for change

The new version of the vibration protection is less subject to wear than the old version.

#### 4. Availability

The changeover to the new version will start from Q3 2019.

#### 5. Affected parts

Overmoulded cables with the designation SAIP-M12\*\*\*\* are affected by the changeover.

#### 6. Data

**Possible Content:**

-	PCN-number	PCN-PB46-20190724-00-A
-	date of publishing	24.07.2019
-	revision number	A

We hope that the changes will benefit your business and will not affect you in any significant way and apologise in case of any inconvenience caused. Please rest assured that we will do everything possible to achieve this product change as smoothly as possible with minimum or no business disruption.

For further questions or if you need any additional assistance or information, please contact your local sales office directly. All contacts for sales representatives are available here: <http://www.weidmueller.com/contact>

Details of this and any other product changes can also be found on our web page by following the link shown below

<http://www.weidmueller.com/int/service/online-support-and-downloads/product-change-notification>

Best regards

Product Management

Weidmüller Interface GmbH & Co. KG  
Klingenbergstraße 16, 32758 Detmold, Germany

**Weidmüller** – Your partner in Industrial Connectivity  
We look forward to sharing ideas with you – **Let's connect.**