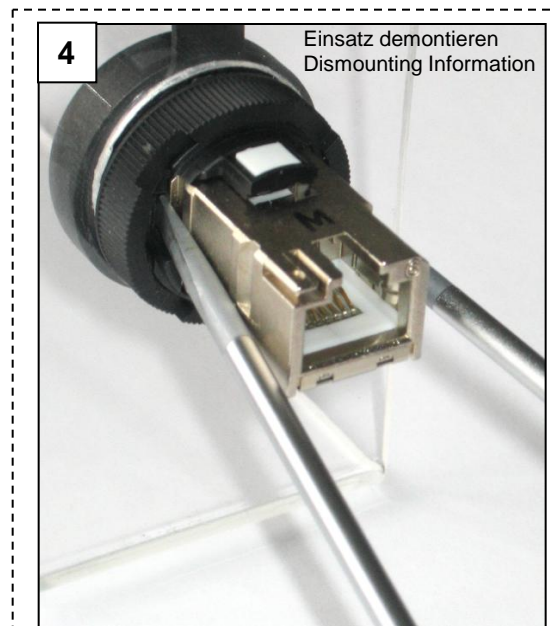
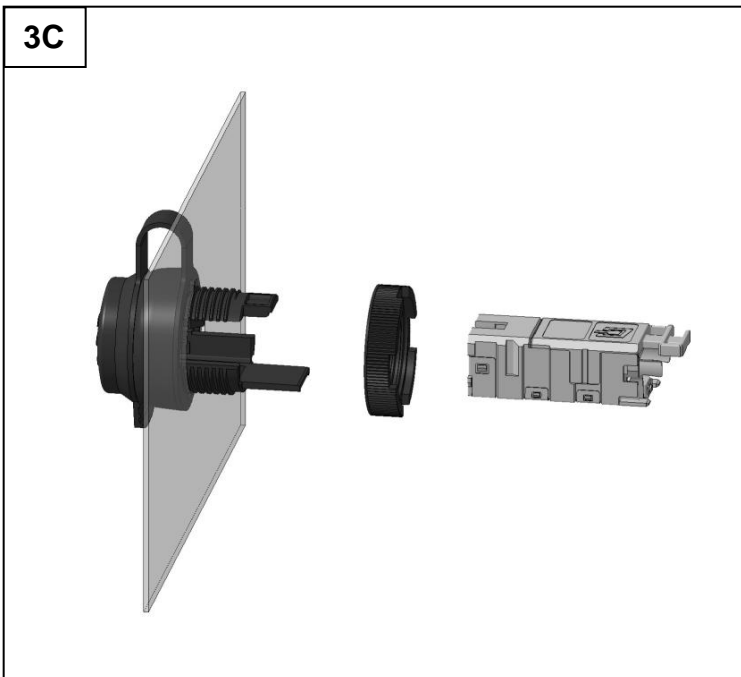
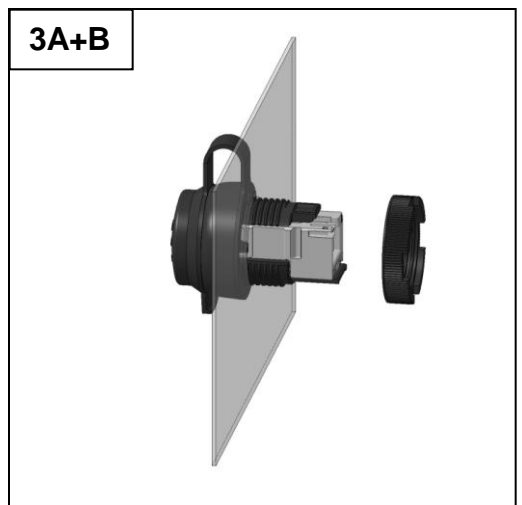
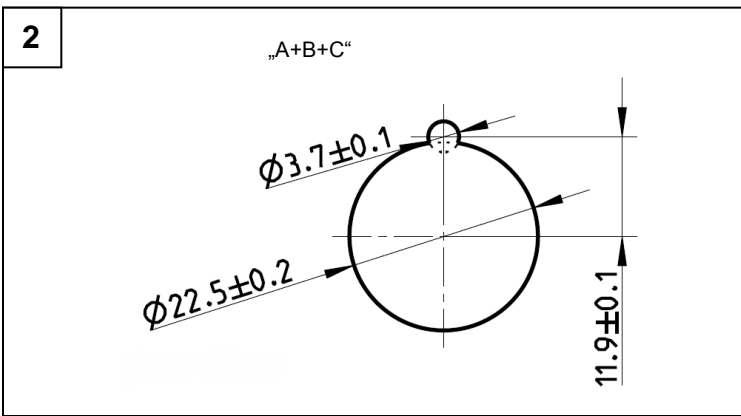
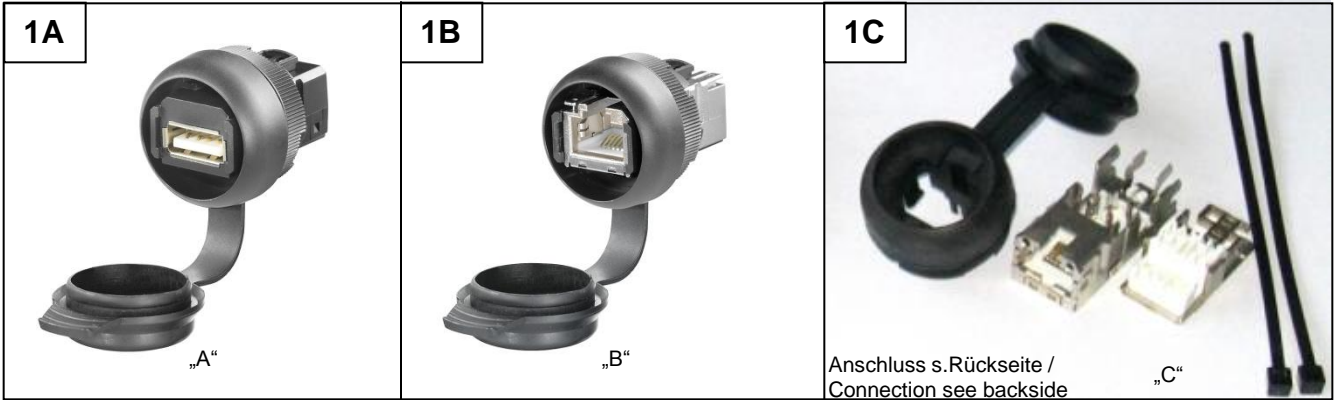
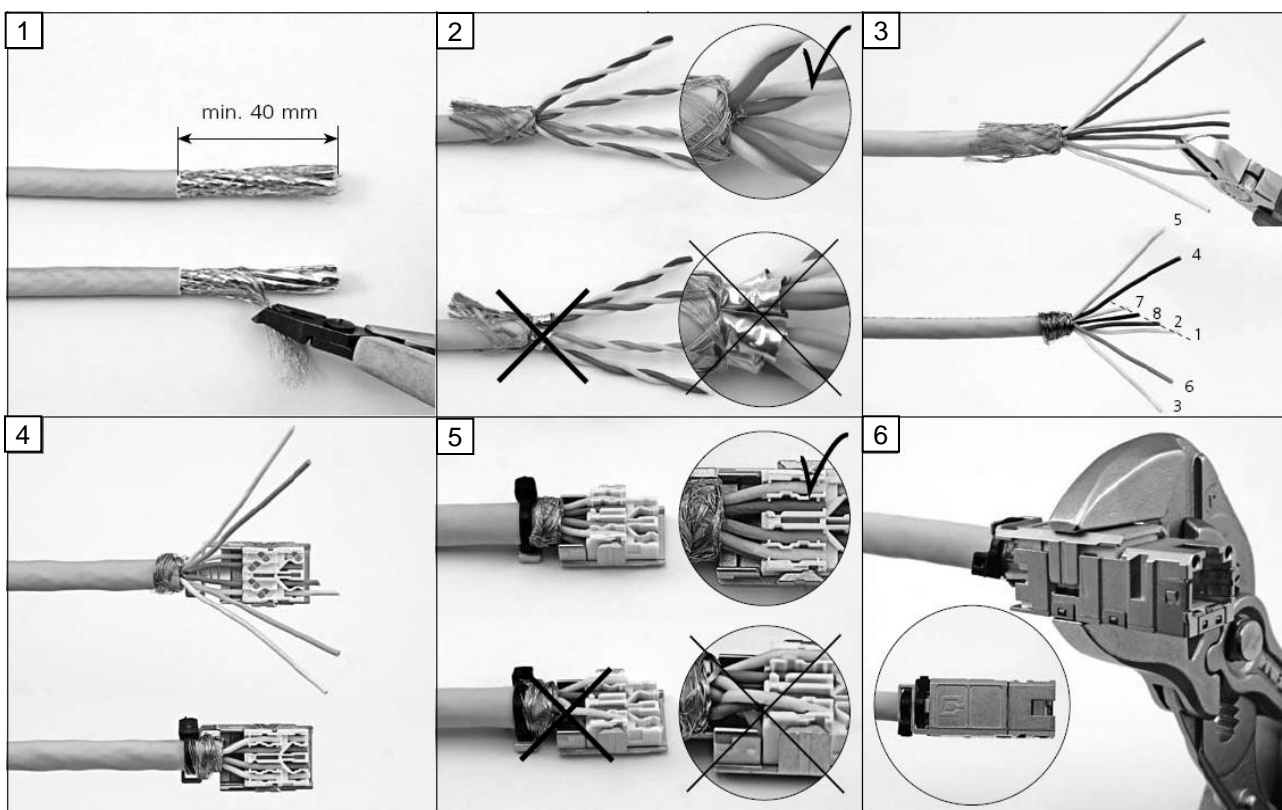


Montagehinweis / Mounting information / Référence de montage / Indicaciones de montaje / Infomazioni per il montaggio



„C“	Anschluss / Connection				Anwendung / Application						
	RJ45 PIN Nr./No.	Farbcode / Colour code T568		Industrial Eth.	10BT/ 100BT	Gigabit Ethernet	Token Ring	ISDN/So	TP-PMD/ ATM	ISDN/ So	Upo/ TEL
		A	B								
1	WH-GN	WH-OG	WH	YE	*	*			*		
2	GN	OG	BN	OG	*	*			*		
3	WH-OG	WH-GN	GN	WH	*	*	*			2a	
4	BU	BU	YE	-		*	*			1a	*
5	WH-BU	WH-BU	GY	-		*	*			1b	*
6	OG	GN	PK	BU	*	*	*			2b	
7	WH-BN	WH-BN	BU	-		*			*		
8	BN	BN	RD	-		*			*		



WM-4342590000-03