

Technical change to Bulkhead Variant 1 (Metal)

Dear Madam or Sir,

the products listed below are subject to a product change and will be supplied in a modified revision. Please pass this product information on to your employees and, if needed, to your customers. All modifications mentioned have been made to support our ongoing commitment to continual improvement and ongoing product development.

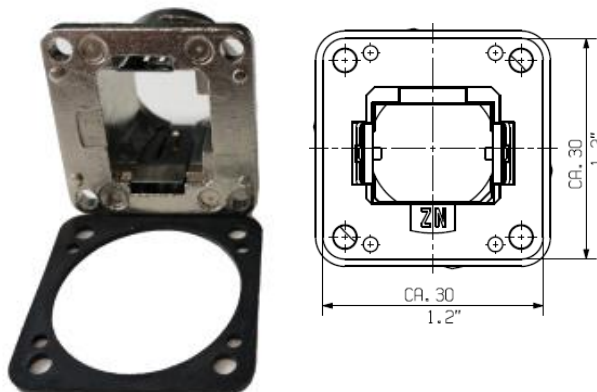
1. Initial situation

Temporary problems with protection degree, using of non standard components.

2. Technical change

The shape and dimension was changed. Mounting holes and cut out are not affected. The central nut was changed from a specific thread to standard M27. The gasket material was changed from NBR to EPDM due to better ozone resistance.

Previous version



New version



3. Reason for change

Better protection degree performance, using of standard standard components.

4. Availability

March 2020

5. Affected parts

We hope that the changes will benefit your business and will not affect you in any significant way and apologise in case of any inconvenience caused. Please rest assured that we will do everything possible to achieve this product change as smoothly as possible with minimum or no business disruption.

For further questions or if you need any additional assistance or information, please contact your local sales office directly. All contacts for sales representatives are available here: <http://www.weidmueller.com/contact>

Details of this and any other product changes can also be found on our web page by following the link: <http://www.weidmueller.com/int/service/online-support-and-downloads/product-change-notification>

Best regards

Product Management

Weidmüller Interface GmbH & Co. KG
Klingenbergstraße 16, 32758 Detmold, Germany

Weidmüller – Your partner in Industrial Connectivity
We look forward to sharing ideas with you – **Let's connect.**